

Bacti-Cinerator and Beads Sterilizer



Model : YR403

Bacti-Cinerator and Beads Sterilizer

Manufacturer : -

Price : \$ 575.00

Description :

Sterilization process is one of the most important process in the medical field, especially lab researches and sample testing. In these cases, instrument sterilization is fundamental to get reliable results when performing a test in a laboratory. Each time there is a failure to keep your workspace equipment and samples sterilized, it costs you valuable time and resources. That is why we are offering you this high-end technology device.

Bacti-cinerator is a very common device due to its sterilizing functions. In this process, all forms of life and biological agents are eliminated from a specified region, such as a surface, a volume of fluid, medication, or in a compound such as biological culture media. It is very important to stand that sterilization is a very different process from disinfection, sanitization, and pasteurization. Having a sterile environment in your lab is mandatory in order to give accurate results.

Bacti-cinerator sterilizer

In this case, we are presenting you with the bacti-cinerator and beads sterilizer, a device that sterilizes microorganisms utilizing infrared heat produced by a ceramic core element. The ceramic element contains no asbestos and ensures maximum sterility without splatter across the work surface area. Complete sterilization occurs within 5 to 7 seconds at an optimum sterilizing temperature of 1500°F (815.6 degrees Celsius). Its small footprint makes the Bacti-Cinerator Sterilizer an ideal instrument for anaerobic and aerobic chambers alike. Several user-friendly accessories are also available for these YR403 and YR404 models.

Both models sterilize needles, loops, and culture tube mouths in five to seven seconds at optimum sterilizing temperature of 815.6 °C (1500 °F). The heater angle can be changed, and it is very convenient for sterilizing large flasks, bottles and more. In addition, they have a ceramic funnel tube enclosed in a stainless-steel perforated guard and a stainless-steel support stand. Moreover, their required input power is AC220V 50/60Hz.

These models' max-diameter of Sterilizer Goods are ?14 for the YR403 model and ?35 for the YR404 model. The sterilizer's length is 150 mm and 100 mm respectively. Their general dimensions are 159 x 100 x 260 mm for the YR403 model and 153 x 100 x 280 mm for the YR404 model. Their power is 170 W and 320 W for each and their weight is 1.5 Kg and 1.6 Kg respectively.

Product Information

Bacti-Cinerator and Beads Sterilizer

- Product Model: YR403 / YR404
- Product Name: Bacti-Cinerator and Beads Sterilizer
- Center High-temperature: 825°C ± 50°C

Max-diameter of Sterilizer Goods

- YR403: ?14mm
- YR404: ?35mm

Length of Sterilizer

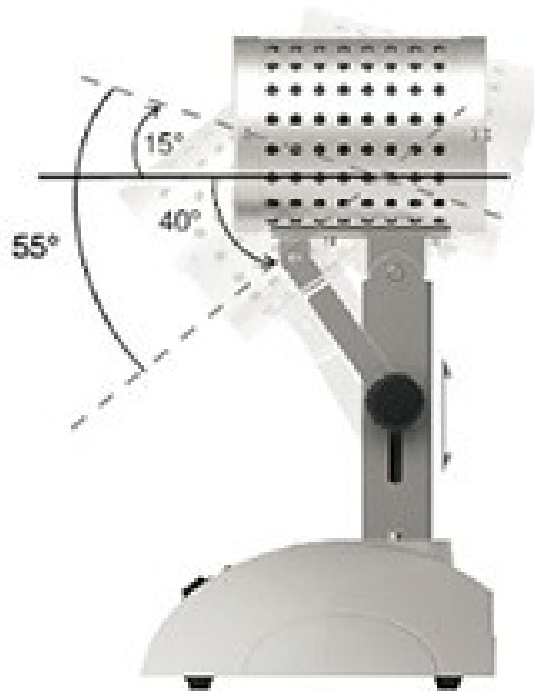
- YR403: 150mm
- YR404: 100mm

The Bacti-Cinerator Sterilizer sterilizes micro-organisms utilizing infrared heat produced by a ceramic core element. The ceramic element contains no asbestos and ensures maximum sterility without splatter across the work surface area. Complete sterilization occurs within 5-7 seconds at optimum sterilizing temperature of 1500°F (815.6°C).

The small footprint makes the Bacti-Cinerator Sterilizer an ideal instrument for anaerobic and aerobic chambers alike. Several user friendly accessories are also available for the Bacti-Cinerator sterilizer

The YR403 and YR404 are our company new products for the Bacti-Cinerator sterilizer. The angle of the heater will be changed, and it's very convenient for sterilizing the large flask, bottle and etc.

Bacti-Cinerator and Beads Sterilizer



Adjustable the heater's angle

Code	Description
YR403	AC120V or AC220V, 50~60Hz 1A
YR404	AC120V or AC220V, 50~60Hz 1A

Features

Sterilizes needles, loops, and culture tube mouths in five to seven seconds at optimum sterilizing temperature of 815.6°C (1500°F)

Ceramic funnel tube enclosed in stainless-steel perforated guard and

Bacti-Cinerator and Beads Sterilizer

stainless-steel support stand

For AC220V 50/60Hz

Parameters by Models

Bacti-Cinerator and Beads Sterilizer

Bacti-Cinerator and Beads Sterilizer

Model:	YR403	YR404
Center High-temperature	825°C ± 50°C	825°C ± 50°C
Max-diameter of Sterilizer Goods	Φ14	Φ35
Length of Sterilizer	150mm	100mm
Dimensions(DXWXH)	159x100x260mm	153x100x280mm
Power	170W	320W
Net Weight	1.5kg	1.6kg
Adjustable angle range of heater	55°	55°

Bacti-Cinerator and Beads Sterilizer

Options available for Bacti-Cinerator and Beads Sterilizer :

Variation

(YR404) Diameter: ?35 / Length: 100mm (+\$ 138.30),
(YR403) Diameter: ?14 / Length: 150mm.